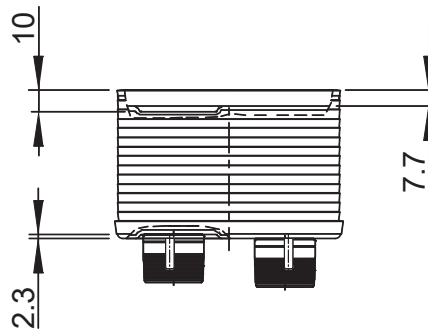
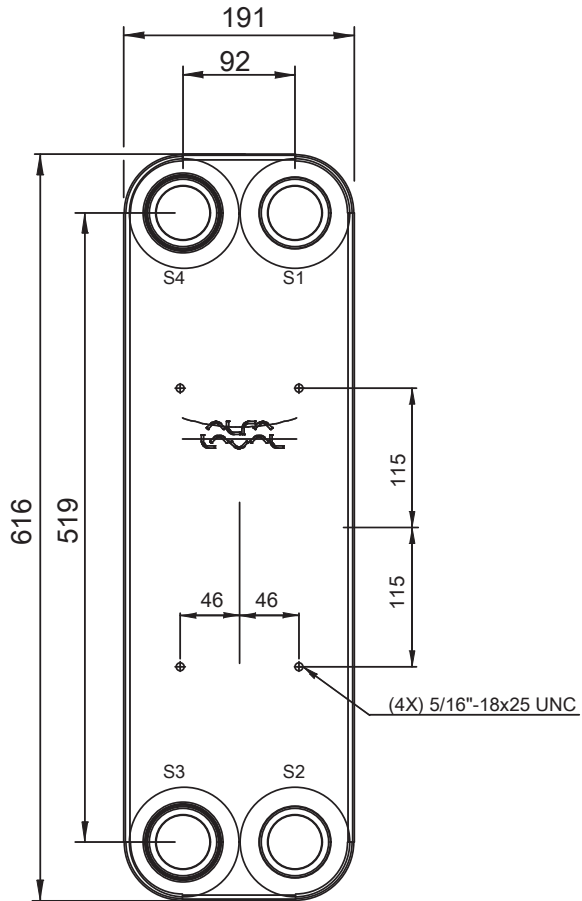
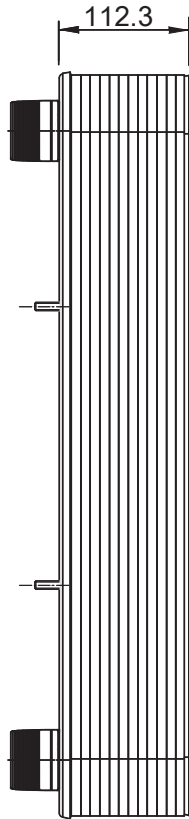
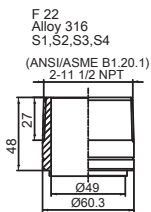


Note that all unique customer requirements (i.e tolerance) need to be verified thru Alfa Laval.



HEATING SURFACE
 NETWEIGHT 19.5 kg
 OPERATING WEIGHT
 PLATE MATERIAL Alloy 316
 PLATE GROUPING 1*18H/1*19H

ALL DIMENSIONS IN MILLIMETERS

SIDE	MEDIA	INLET	TEMP.	OUTLET	TEMP.	FLOW RATE	PRESSURE DROP	LIQUID VOL.
1								3.78 dm ³
2								3.99 dm ³

PRESSURE VESSEL APPROVAL

UL/CRN

CB110-38H (3287133279)

www.alfalaval.com

CUSTOMER NAME / REF. NO.

TOTAL LENGTH 160.3 mm
 TOTAL WIDTH 191.0 mm
 TOTAL HEIGHT 616.0 mm

COMPANY / REF.

2/25/2020
 REV 0